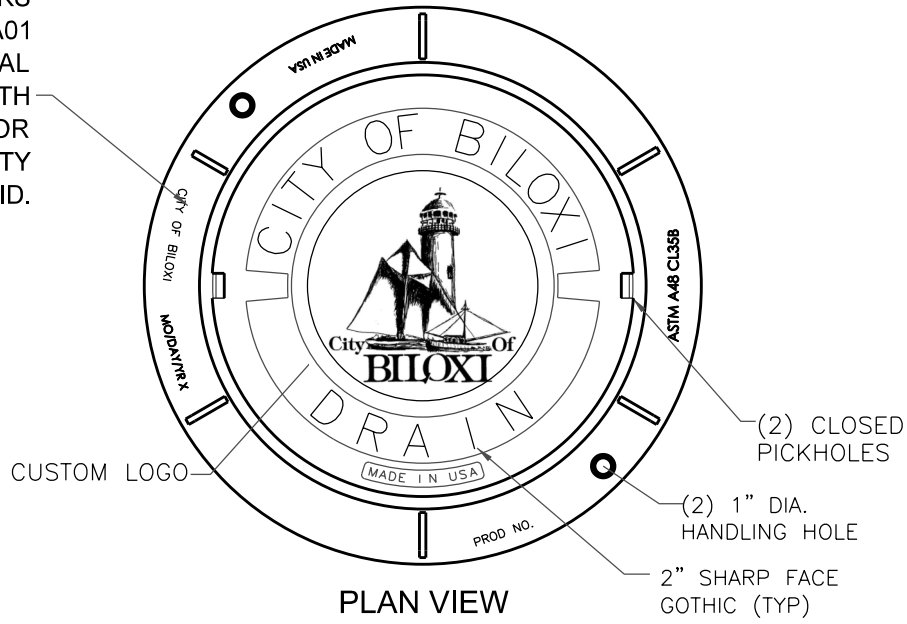




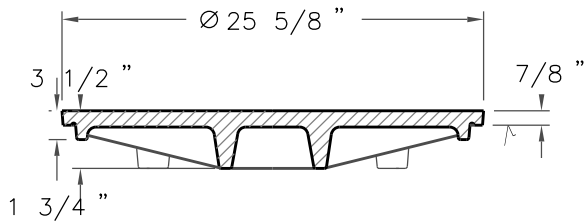
City Of

BILOXI

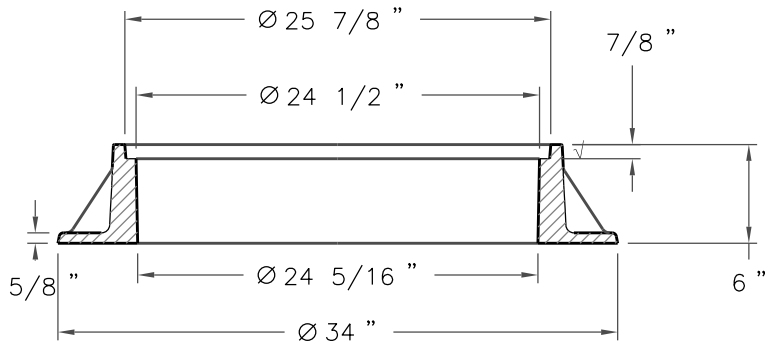
EAST JORDAN IRON WORKS
 PRODUCT #00173025A01
 OR APPROVED EQUAL
 RIM AND COVER WITH
 LETTERING "DRAIN" FOR
 STORM DRAIN AND CITY
 LOGO TO BE CAST ON LID.



PLAN VIEW



SECTION VIEW



SECTION VIEW

EAST JORDAN IRON WORKS
 PRODUCT # 00173025A01 OR APPROVED EQUAL

**STANDARD RIM
 MANHOLE CASTINGS**

SCALE: N.T.S. UPDATED: 10/25/11

FOR REASONS OF CLARITY, A CERTAIN
 AMOUNT OF DETAIL HAS BEEN OMITTED
 FROM THESE DETAILS. FULL DETAIL
 SHALL BE RESTORED AT TIME OF CASTING
 ACCORDING TO THE PRE-APPROVED
 CAD DRAWINGS.

ALL CASTINGS SHALL MEET
 AASHTO M306 LATEST
 REVISION
 WEIGHT: 413lbs

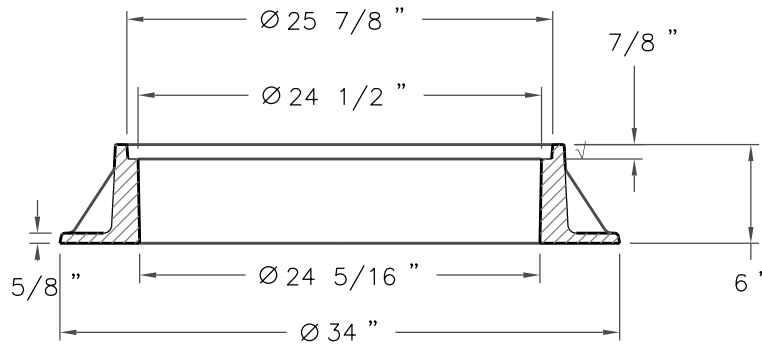
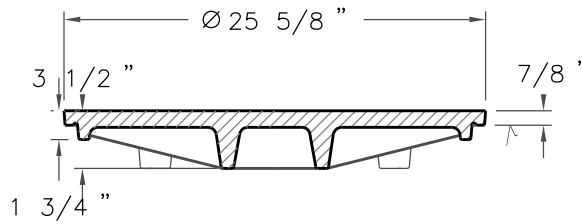
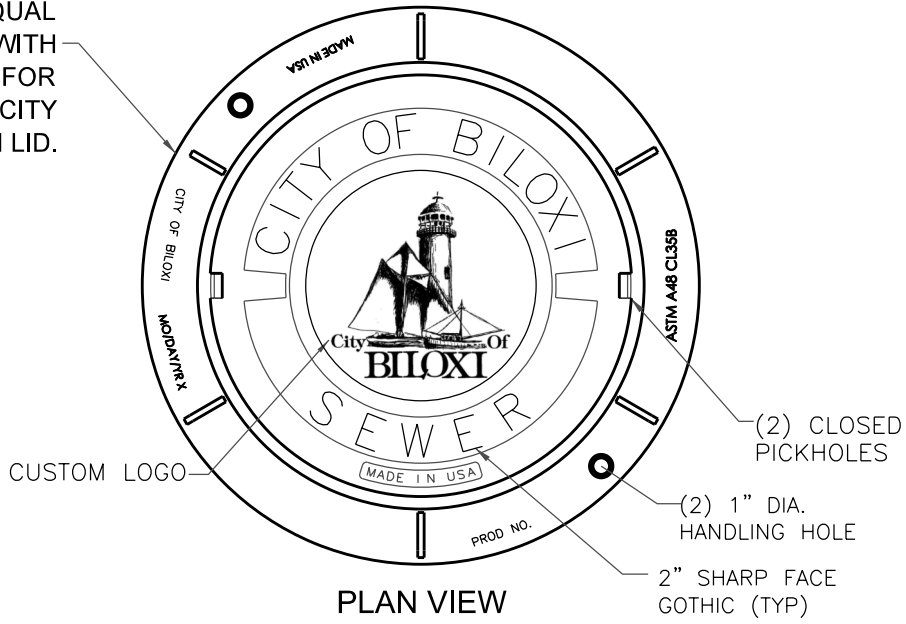


**STANDARD
 DETAILS**

**STANDARD RIM
 MANHOLE CASTINGS**

DRAWN BY:	JPG
DESIGNED BY:	JF
ORIGINATION DATE:	10/25/11
DRAWING NO.:	350

EAST JORDAN IRON WORKS
 PRODUCT #00173021A01
 OR APPROVED EQUAL
 RIM AND COVER WITH
 LETTERING "SEWER" FOR
 SANITARY SEWER AND CITY
 LOGO TO BE CAST ON LID.



EAST JORDAN IRON WORKS
 PRODUCT # 00173021A01 OR APPROVED EQUAL

**STANDARD RIM
 MANHOLE CASTINGS**

SCALE: N.T.S.

UPDATED: 10/25/11

ALL CASTINGS SHALL MEET
 AASHTO M306 LATEST
 REVISION
 WEIGHT: 413lbs

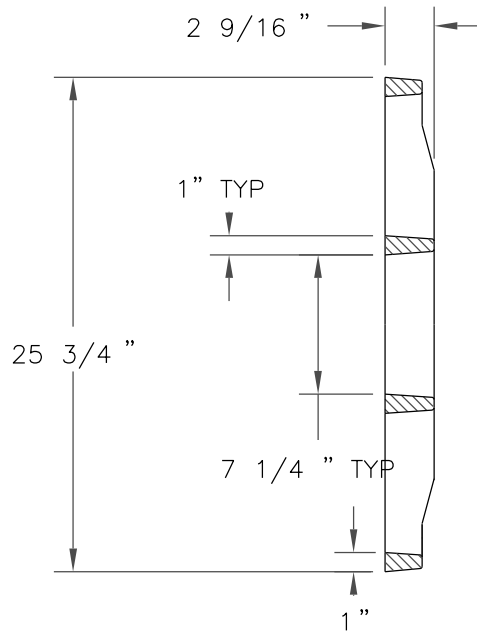
FOR REASONS OF CLARITY, A CERTAIN
 AMOUNT OF DETAIL HAS BEEN OMITTED
 FROM THESE DETAILS. FULL DETAIL
 SHALL BE RESTORED AT TIME OF CASTING
 ACCORDING TO THE PRE-APPROVED
 CAD DRAWINGS.



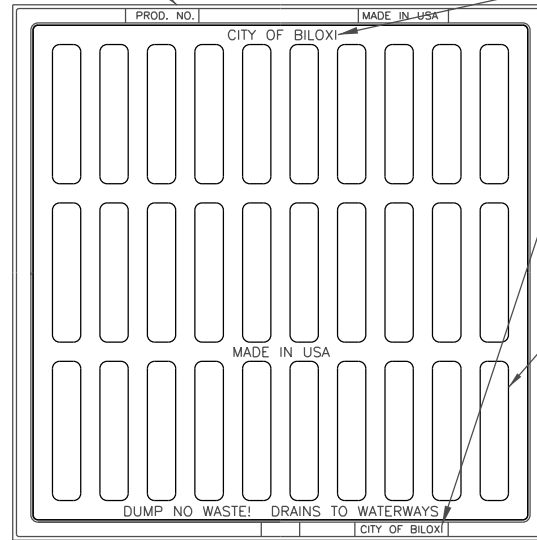
STANDARD
 DETAILS

DRAWN BY:	JPG
DESIGNED BY:	JF
ORIGINATION DATE:	10/25/11
DRAWING NO.:	506

EAST JORDAN IRON WORKS
 PRODUCT #45726112 OR
 APPROVED EQUAL WITH
 LETTERING AS SHOWN TO BE
 CAST ON FRAME.

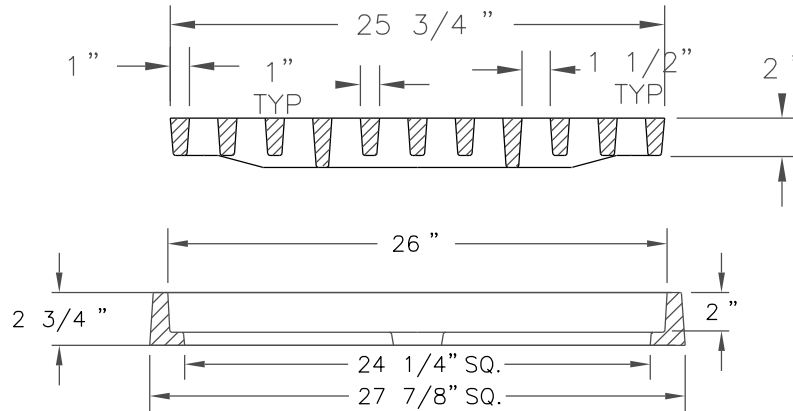


SECTION



3/8" SHARP FACE
 GOTHIC

EAST JORDAN IRON WORKS
 PRODUCT #45726037 OR
 APPROVED EQUAL WITH
 LETTERING AS SHOWN TO BE
 CAST ON GRATE.



SECTION

EAST JORDAN IRON WORKS
 PRODUCT # 45726037A01 OR APPROVED EQUAL
 GRATE AND FRAME

FLAT GRATE & FRAME

SCALE: N.T.S.

UPDATED: 10/25/11

FOR REASONS OF CLARITY, A CERTAIN AMOUNT
 OF DETAIL HAS BEEN OMITTED FROM THESE
 DETAILS. FULL DETAIL SHALL BE RESTORED AT
 TIME OF CASTING ACCORDING TO THE PRE-
 APPROVED CAD DRAWINGS.

ALL CASTINGS SHALL MEET
 AASHTO M306 LATEST REVISION
 FRAME WEIGHT: 83lbs
 GRATE WEIGHT: 173lbs
 FRAME & GRATE: 256lbs

DRAWN BY:	VM
DESIGNED BY:	DT
ORIGINATION DATE:	9/10/01
DRAWING NO.:	360

FLAT GRATE AND FRAME

STANDARD
 DETAILS

